

LiNK (Integrated Online Trading, Auto CFS and Arbitrage Trader & BackOffice System) is one of our massive products. It is a complete integrated solution designed for investment banks & brokerage houses of Karachi Stock Exchange, Lahore Stock Exchange and National Commodity Exchange which cater to a huge volume of business & large number of clients, the solution automate completely the whole trading cycle from front office to back office in real-time.

So, we assure you that this package will provide you a complete back-end support to manage and control every single step of your Brokerage House business.

According to the requirement of business of corporate brokerage houses, **LiNK** has been divided into following main modules:

- ❑ LiNKBOSS (Back Office and Settlement System)
 - Comprehensive Audit Log
 - Online Backup Server
 - Online Web Reporting Setup

- ❑ LiNKTRADE Online (LTO)
 - LiNKOMS (Link Order Management System)
 - Supported Order Types
 - LiNKDATA (Data Interfacing and Market Data Server)
 - LiNKADMIN (LiNK Admin)
 - LiNKRM (LiNK Risk Manager)
 - LiNKTRADE Front Office Terminal
 - ◆ Integration of Real-Time SMS Trade Confirmation and Alerts
 - ◆ Web-based Module of LiNKTRADE Application
 - ◆ Integration of Real-Time and Historical Analytical Charting

- ❑ LiNKTRADE Badla Trader (LTBT)

- ❑ LiNKTRADE Ready-Future (LTRF)

LINKTRADE ONLINE has following Features:

LiNKOMS (LiNK Order Management System)

LiNKOMS Order Management is designed for automating complete workflow of an order. LiNKOMS is a complete, Scalable workflow solution for managing order processing in real time from order capture to trade allocation.

Order Capture: LiNKOMS captures client orders from many sources. Orders may be keyed-in by the sales or automatically entered into the system.

Supported Order Types

All Order types including "Limit Stop Loss" and "Market If Touch" are supported in KSE OMS Gateway are handled in our solution. Orders according to price modalities, execution conditions etc.

Cancellation and amendment to orders is available at all levels.

LiNKDATA (Data Interfacing and Market Data Server)

LiNKDATA is our Data Interfacing and Market Data Server suite which provides real time streaming data & all information regarding clients & accounts details to LiNKTRADE (Our Trading Front-End).

LiNKADMIN (LiNK Admin)

Following are the main features of LiNKRM (Risk Manager):

- Market Setup
- Market Symbol Setup
- Scrip Setup
- Sector Setup
- Symbol Group Setup
- User Setup
- User Client Setup
- Client Setup
- Manual Cash Adjustment
- Manual Client Shares
- Manual Client Marked Delivery

- Exposure Class Setup
- Haircut Setup (client-wise / scrip-wise)
- Client-wise Enable/Disable option for blank-sell in market
- End-users Authorities Setup
- Authorities for clients to trade in a specific clearing
- Manual Cash Adjustments
- Comprehensive Portfolio Management of Clients, including their ledger balances, scrip-wise delivery positions, open positions, outstanding loss profit, real-time exposure in amount and percentage, available exposure limit in amount and percentage etc.

LiNKRN (Risk Manager)

Following are the main features of LiNKRM (Risk Manager):

- Real-time Comprehensive Exposure Management Tools
- Automated Real-Time Exposure Reduction Techniques
- Real-time Scrip-wise Client Position
- Real-time House-wise Scrip Position
- Auto Sell

LiNKTRADE Front Office Terminal

LiNKTRADE is our state-of-the-art Front office trading terminal designed for individual investors, dealers as well as institutional clients where they can view real-time rates and can execute pre-trade validated orders at high speed and high performance over internet.

This facility for brokers will increase opportunity and efficiency of their business, highly efficient risk management integrated capabilities will help managing efficiently the trade cycle from order to settlement.

Following are the main features of our LiNKTRADE:

- Single User-wise or Group User-wise authenticated system
- Message Window
- Market Watch (User Defined)
- Market Watch (Sector-wise)
- Market Depth by price
- Market Depth by order
- Exchange Statistics
- Market Summary
- Volume Leaders
- Value Leaders
- Gainers / Losers
- 100 Index Scrips View
- 30 Index Scrips View
- CFS Scrips View
- Trade History

- Online Messaging
- Buy / Sell Order placement
- Order update
- Order cancel
- Order resume
- Stop Loss Order
- Cancel Order Globally
- Confirmed Orders View
- Pending Orders View
- Daily Activity Log
- Real-time Alerts
- Delivery / CFS confirmations
- Delivery / CFS Request
- Cash Withdraw Request
- Real-time Alerts
- Real-time Email Alerts
- SMS Alerts (Under Development)
- SMS trade confirmation Alerts (Under Development)
- Comprehensive Portfolio Management for Clients, including their ledger balances, scrip-wise delivery positions, open positions, outstanding loss profit, real-time exposure in amount and percentage, available exposure limit in amount and percentage etc.
- Real-time Intra-Day Scrip-wise Graphs including applying moving averages on each scrip for 7 days, 14 days, 21 days and so on.
- Historical Graphs
- Real-time Index Graphs
- History Data based Index Graph
- Sector wise Analysis

• **Integration of Real-time SMS Trade Confirmations and Alerts**

Integration of Real-time SMS Alerts and SMS Trading Confirmation with LiNKTRADE Front Office Module.

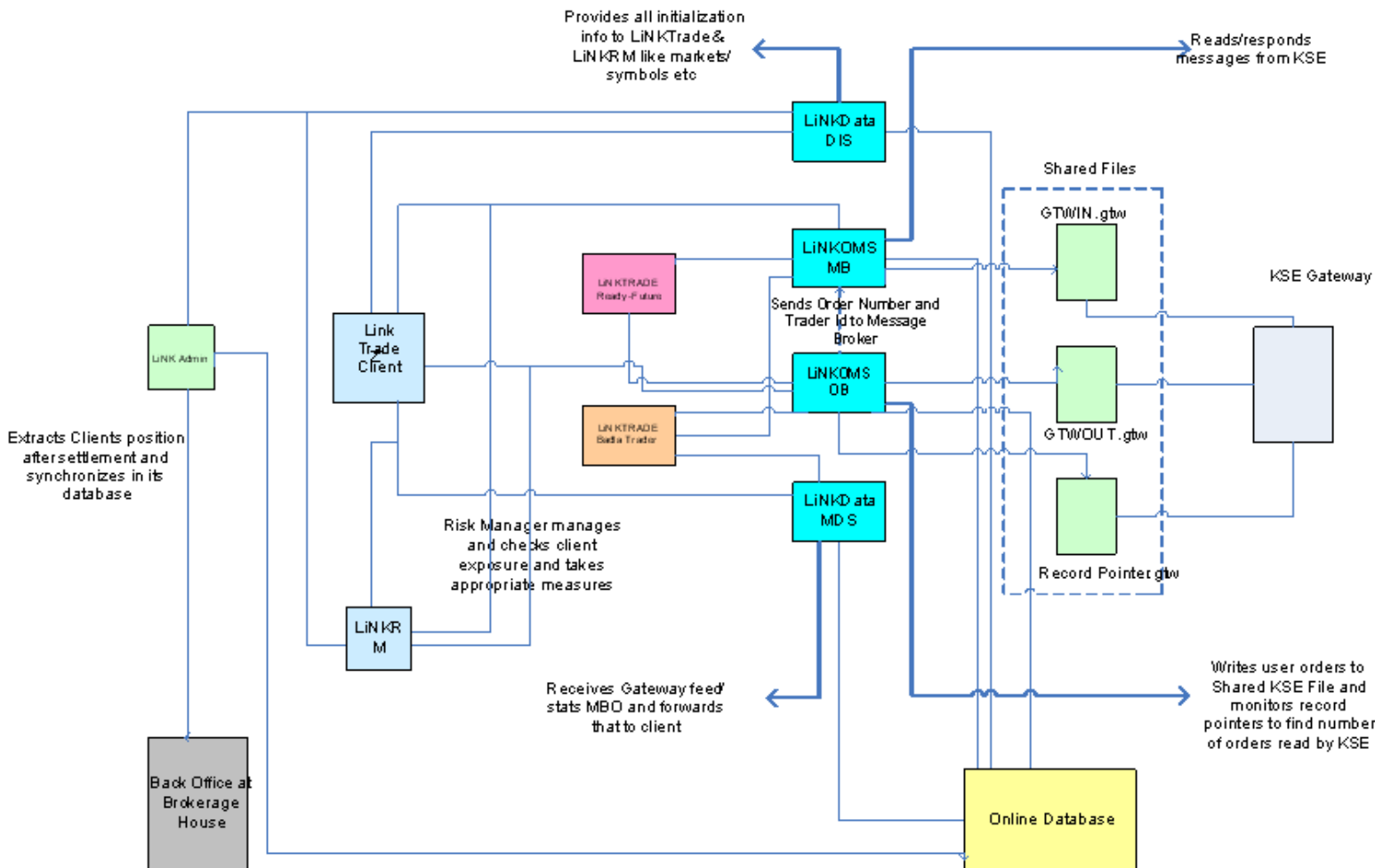
• **Web-based Module of LiNKTRADE Application**

Web-based module of LiNKTRADE application will allowed your users to directly access their on-line trading account through your web-site, instead of installing full LiNKTRADE Terminal Application at their end.

- Integration of real-time & historical Analytical Charting

Integration of Approximately 150 Real-Time Analytical Graphs with LiNKTRADE Trading Module. These comprehensive analytical graphs will be available in real-time intraday mode and in Historical mode for all end-users.

System Architecture



Hardware and Software Requirements:

LiNK is a client/server based System comprises of following modules:

Server Modules:

1. LiNKOMS (Order & Message Broker)
2. LiNKData (DIS & MDS)

Software requirements: Windows Server 2000/2003, .Net Framework 1.1, MDAC 2.7./SQL Server 2000 or Above

Trade Client & Administrative Modules:

1. LiNKTrade (Trade Client)
2. LiNKAdmin (Administrative Module)
3. LiNKRM (Risk Manager Application)
4. LiNKTRADE Badla Trader
5. LiNKTRADE READY-FUTURE

Software Requirements: Windows 2000/xp/vista, .Net Framework 1.1

The Back office is a client-server application based on Oracle Developer's Forms and Reports. All the internal users and the user in the Stock Exchange connect the database in the client-server mode using the forms and reports of this application. The database for Back office is on ORACLE 9i or above.

Contact Information

Address : 46-C, Mezzanine Floor, Bukhari Commercial Lane 1
Phase VI(6) D.H.A., Karachi

Phone : (92-21) 5242531-35

Fax : (92-21) 5242539

Email : info@linkagetechologies.com